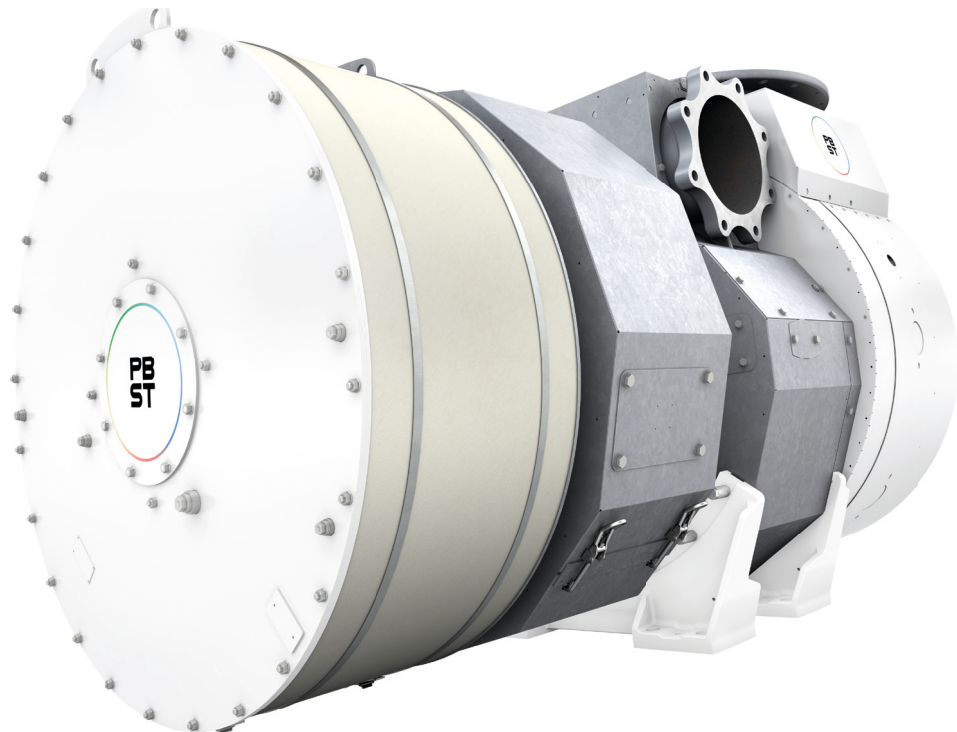
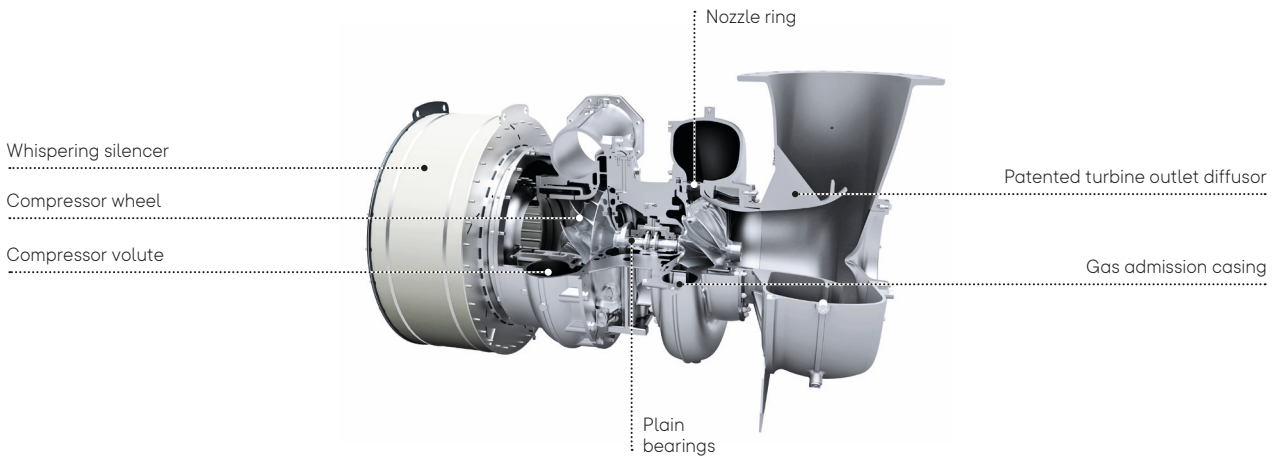


# TCR series

## Well proven solution for OEM application!

PBST TCR turbochargers were created to address the very special challenges faced by HFO, MDO, biofuel and gas engines. Products are available for the entire engine power range, from 350 kW to 7 MW per turbocharger.

TCR turbochargers represent a robust, versatile modular platform – suitable for a wide variety of high, medium and low speed engine applications.

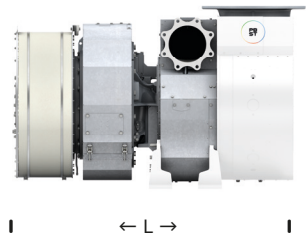
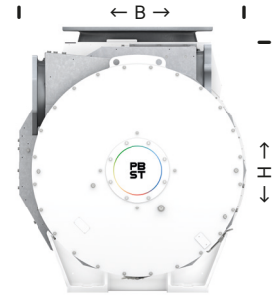


## Dimensions

Type	L* [mm]	B [mm]	H [mm]	Weight [kg]
TCR10	860	327	410	48
TCR12	889	401	496	78
TCR14	950	534	623	108
TCR16	1,091	590	658	175
TCR18	1,311	730	870	306
TCR20	1,662	852	970	504
TCR22	1,990	1,068	1,320	1,044

\* Length with silencer

All weights and dimensions are for guidance (project-specific requirements can lead to deviating values).

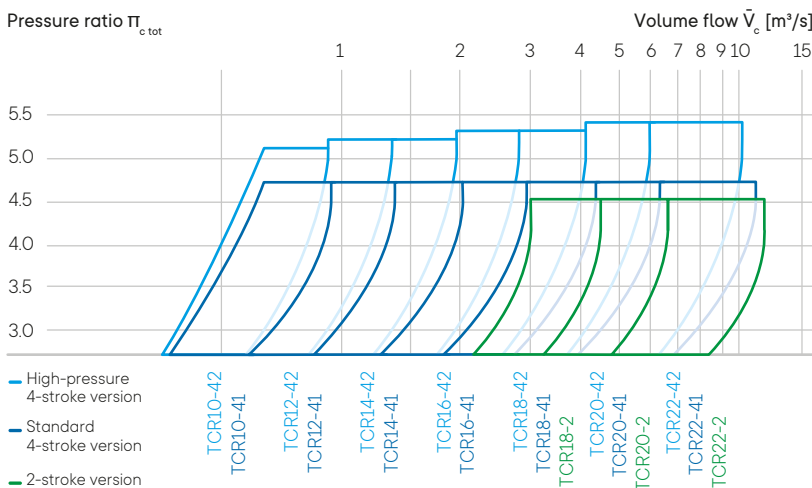


Type	Supercharged engine output		Max. permissible Speed [rpm]
	2-stroke [kW]	4-stroke [kW]	
TCR10	-	600	85,000
TCR12	-	880	70,900
TCR14	-	1,300	58,700
TCR16	-	1,850	48,800
TCR18	2,700	2,750	40,300
TCR20	4,000	4,000	33,400
TCR22	7,000	6,850	25,600

Specific air consumption (le)	2-stroke [kg/kWh]	4-stroke [kg/kWh]
	7.0 kg/kWh	6.5 kg/kWh

More information available upon request. Last updated October 2019



The latest generation of PBST TCR turbochargers offers reduced size and weight while delivering greater efficiency, performance and reliability. Advanced materials ensure extended overhaul intervals, easier maintenance and a longer lifetime.

## Applications

- 4-stroke
- 2-stroke
- Power generation
- Locomotive
- Industrial
- Biogas plants
- Mining